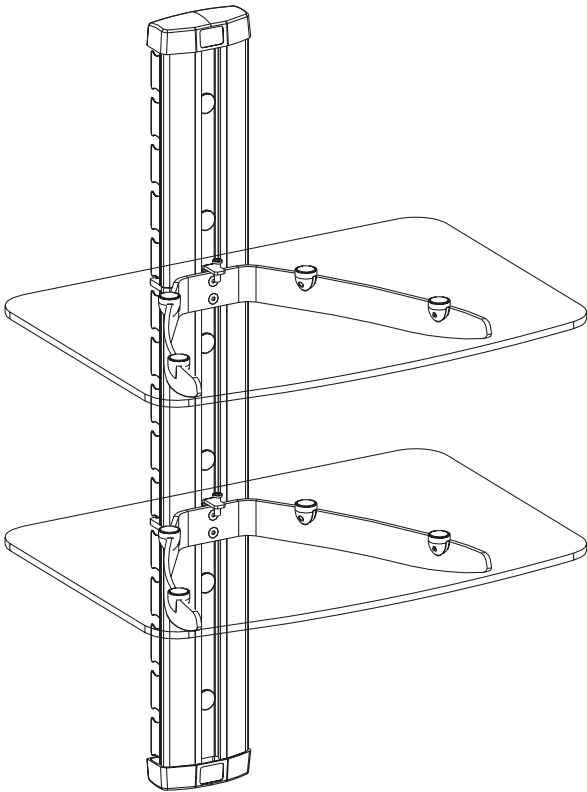




Two Shelf Wall Mounting A/V Component Stand

Installation Guide

Model: E200



- *Cable Management System*
- *Adjustable Shelf Height*
- *Maximum Weight Capacity Per Shelf: 22 lbs.*

**For technical assistance or troubleshooting
please call 1-855-994-3832.**



This product is intended for use only with Audio/Video components (Not for use with any type of TV). The maximum weight capacity per shelf is 22 lbs. See apparatus instructions. Using with an apparatus heavier than the maximum shelf support weight indicated may result in instability and cause personal injury.

READ THIS FIRST

Read this entire manual! Do not attempt to install this product if you do not understand the instructions. Contact a qualified mount installer if you have any doubts about a safe and secure mount installation, or if you are not sure what specific wall materials you are attaching this mount to. Check all the parts carefully to make sure there are no missing or damaged parts. Improper installation may result in damage to your Components, TV, property, and personal injury.



This product is intended only to be used to support Audio/Video Components (DVD players, Cable boxes, 5.1 Sound systems, etc.) Do not use this stand for any type of Television. Use with components heavier than the maximum shelf weight capacity can damage equipment and cause personal injury.

Schoenfeld International Inc. and ETEC are not responsible for personal injury or product damage due to mishandling, incorrect mounting, incorrect assembly, or incorrect use of this product.



CHILD SAFETY

How and where you use your *AV Component Wall Mount Stand* is extremely important for **Child Safety**. As you set up and use your new product, keep all of these safety tips in mind.

- One size of *AV Component Stand* does not support all components weights and sizes.
- Your *AV Component Stand* assembly instructions contains specific information on the maximum weight capacity per shelf that your *AV Component Stand* can safely support. Do not exceed the maximum support weight for each shelf.
- Carefully read all of enclosed instructions for proper use of this product. If you have any doubts about safe and secure assembly, please contact a professional.
- Don't let children climb on or play next to **Wall Mounted AV Stands** or **TV Wall Mounts**.
- Remember that children can become excited while watching a program, especially on a "larger than life" TV. Make sure to place or install the *AV Component Stand* where it cannot be pushed, pulled on, or knocked down.
- Make sure that you safely route all cords and cables so that they cannot be pulled or grabbed by curious children.



Always wear safety goggles to when drilling or installing hardware.

Tools

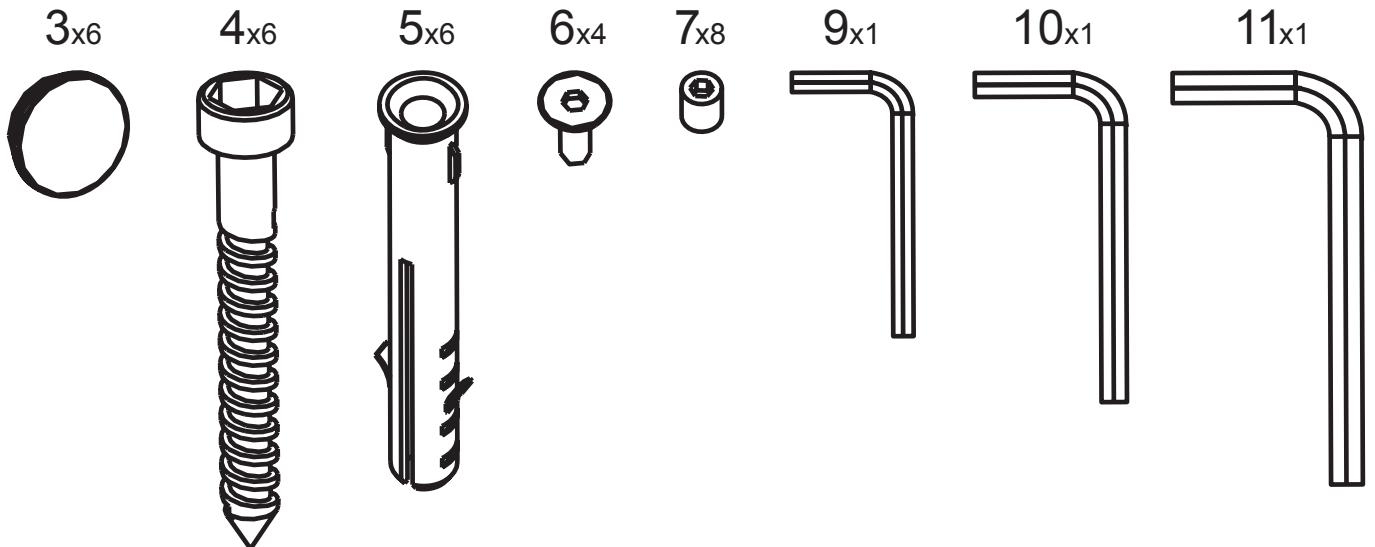
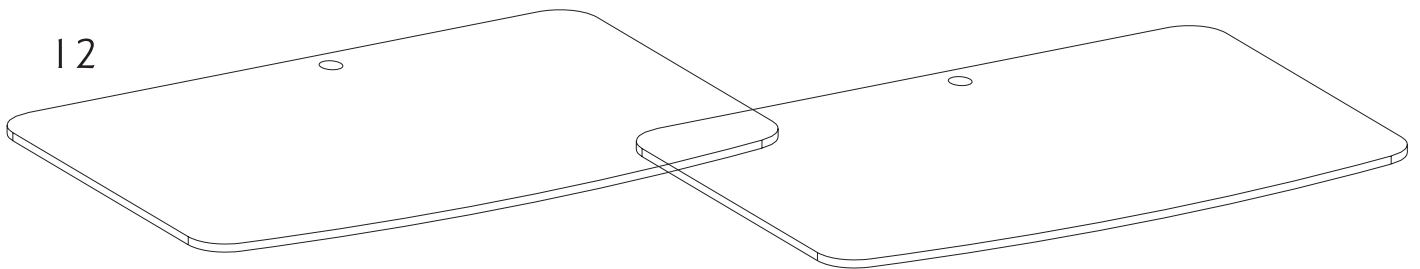
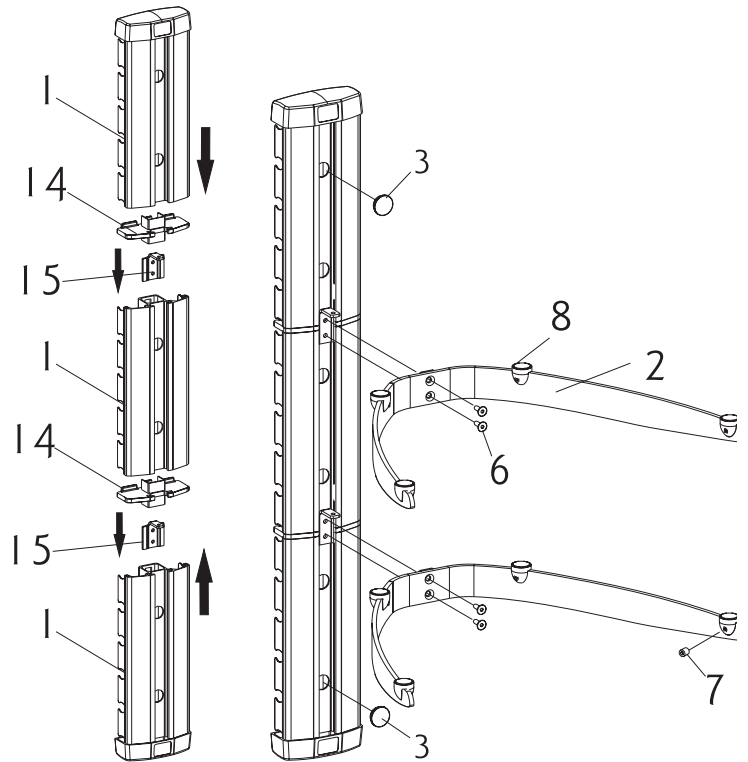
For your convenience, we have included an allen wrench and a socket tool with this mount. For the best assembly experience and mounting safety, we always recommend using full-size tools for each assembly steps.

Below is a recommended tool list you will need for proper and safe installation. See applicable warnings in this manual about certain types of mounting surface materials and the special hardware and tools that should be used.

- Drill with a specific size drill bit to pre-drill holes in the wall
- Stud finder
- Tape measure
- Pencil
- Screw drivers
- Socket wrenches
- Small hammer
- Safety goggles

Hardware List

ID	QTY	Description
1	3	Wall Bracket Sections
2	2	Shelf Bracket
3	6	End Cap
4	6	Long Bolt
5	6	Wall Anchor
6	4	Socket Head Bolt
7	8	Set Bolt
8	8	Glass Shelf Pads
9	1	2.5x2.5mm Hex Wrench
10	1	3x3mm Hex Wrench
11	1	5x5mm Hex Wrench
12	2	Glass Shelf
13	2	CSK Inner Hexagon Screw
14	2	Joint Block
15	2	Joint Plank



The actual appearance and quantity of parts may be different than shown in the illustration. Consult the table for actual quantities.

Find and mark the position on the wall where you want to mount the A/V Component Stand. Make sure the mounting location on the wall has enough space for the Wall Bracket and the Glass Shelves

Step 1: Install the Glass Support Pads to the Shelf Bracket

Attach the Glass support Pads (8) to the Shelf Brackets (2) with Set Bolts (7). Use the 2.5x2.5mm Hex Wrench (9) to loosely tighten the Set Bolts (7). Next, slide the Glass Support Pads (8) into position as required (see Fig. 1). The position of the Glass Support Pads (8) can be adjusted to properly support all A/V equipment (22 Lbs maximum shelf capacity). After position adjustment, securely tighten all Set Bolts (7) in the Glass Support Pads to each Shelf Bracket using the 2.5mm Hex Wrench (9).

Step 2: Install Shelf Bracket to Wall Bracket

Slide the two Joint Planks (15) into the Wall Brackets (1) and join the three Wall Brackets using the Joint Blocks (14) (see Fig. 2). Attach the two Shelf Brackets (2) to the Joint Planks in the Wall Brackets using the Socket Head Bolts (6) with the 3x3mm Hex Wrench (10). Do not overtighten the bolts.

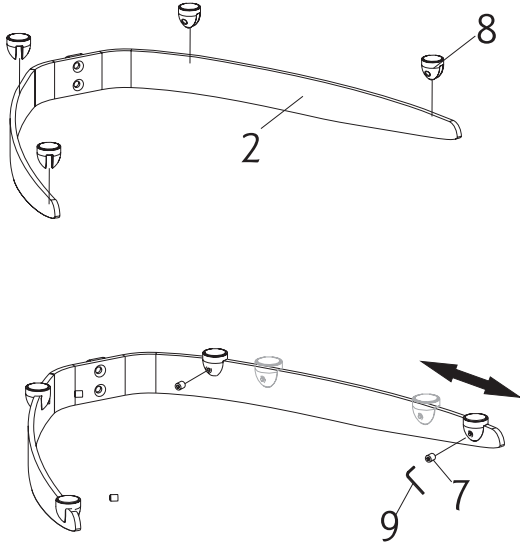


Fig. 1

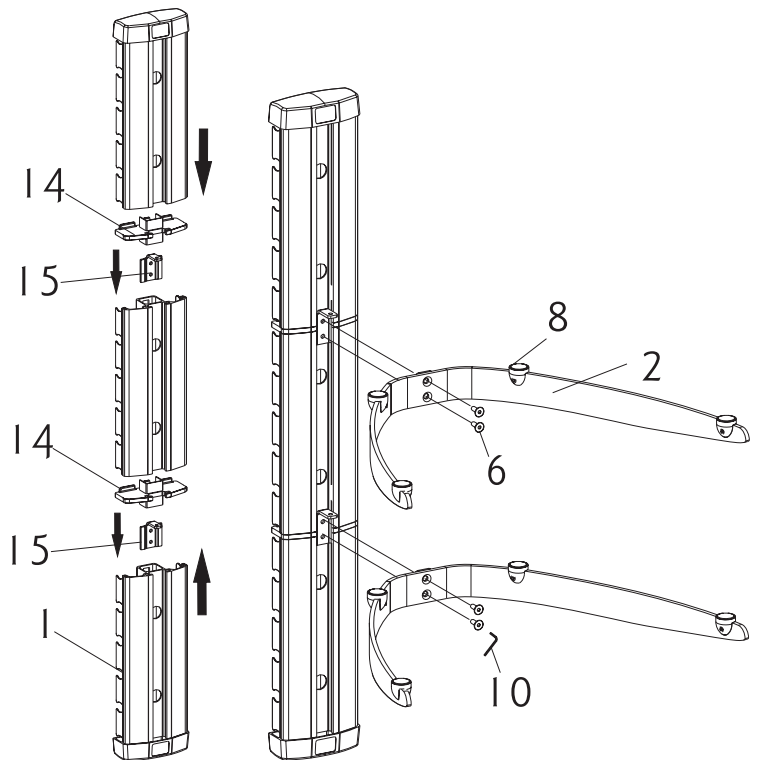


Fig. 2

Step 3: Install the A/V Component Wall Mount Stand

Read the mounting instructions. Determine the proper Stand location for your wall type. Make sure the mounting location has enough space for the Glass Shelves and the Wall Bracket. Follow the mounting instructions for wood studs or concrete wall .



Do not attach this A/V Component Stand to any wall with Brick or steel stud construction. Attaching this mount to wood or concrete walls requires special tools and hardware to ensure the mount is securely and safely attached to these materials. Brick and concrete will break or crumble if special concrete drill bits and drill operating speeds are not properly used. Consult a professional if you are unsure or have any doubts about the safety of the installation. Personal injury or equipment damage can result if the mount is not properly installed.

Wood stud walls (Fig 3):

1. Use an electronic stud finder to locate the wall studs. Mark their locations on the wall.
2. Place the Wall Bracket flat against the wall in the desired mounting location, aligning the mounting holes in the bracket with the studs. Use the Wall Bracket as a template to mark the mounting holes on the wall.
3. Use a 4.5mm drill bit to pre-drill six holes at least 2" (50 mm) deep at the marked locations.
4. Use the supplied Long Bolts (4) with the 5x5mm Hex Wrench (11) to mount the Wall Bracket into the wall. Do not use wall anchors in wood stud walls.
5. Use a level to make sure the stand Wall Bracket is vertical and securely tighten the bolts.

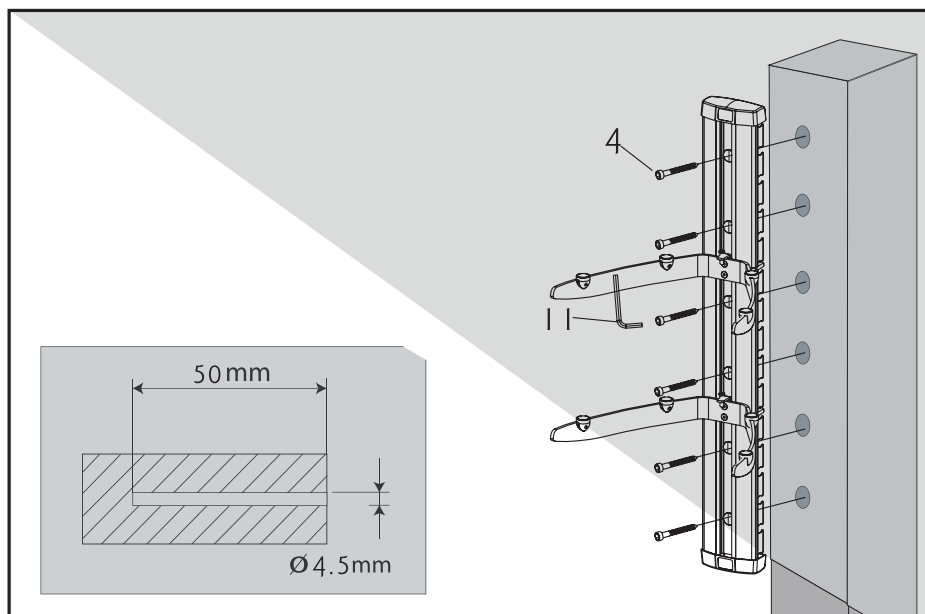


Fig. 3

Concrete walls: (Fig 4):

1. Place the Wall Mount flat against the wall in the desired location. Use the Wall Plate as a template to mark the location of all six mounting holes on the wall. Make sure that the mounting holes are level and are parallel.
2. Use a 10.5 mm drill bit to pre-drill six holes at least 2" (50mm) deep at the marked locations.
3. Insert a Wall Anchor (5) into each pre-drilled hole and lightly tap it with a hammer until the wall anchor is flush with the wall.
4. Use the 5x5mm Hex Wrench (11) and the six Long Bolts (4) to attach the wall mount to the wall with the Wall Anchors.
5. Use a level to make sure the Wall Bracket is vertical and securely tighten the bolts.



Do not use the concrete Wall Anchors (5) for drywall installation. Use of concrete Wall Anchors for drywall installations can result in personal injury or product damage.

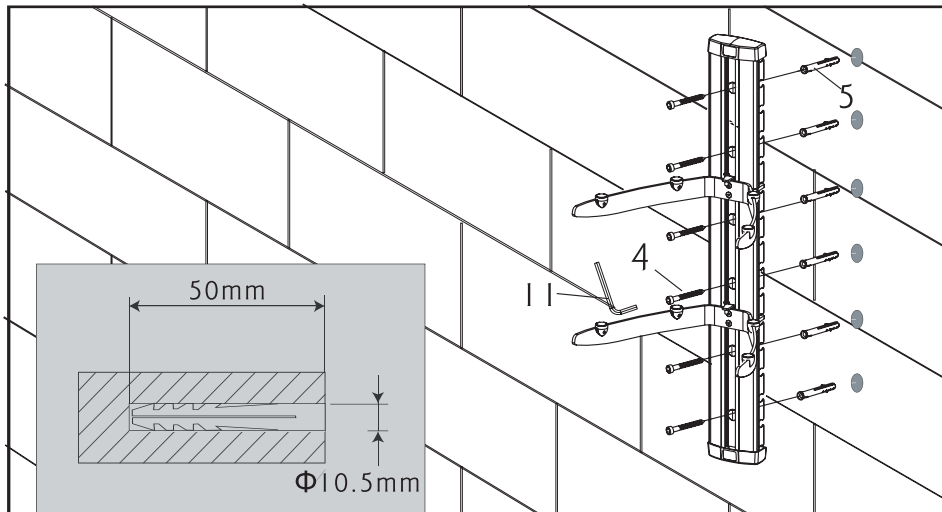


Fig. 4

Step 4: Position and attaching the shelves (Fig.5)

Snap the six End Caps (3) into the hexagon opening in the Long Bolt (4) heads. Position the Shelf Brackets (2) in the desired location and tighten the four Socket Head Bolts (6) using 3x3mm Hex Wrench (10). The Shelf Brackets can be positioned at any height in the Wall Bracket column before tightening. Finally, place each Glass Shelf (12) on the Glass Shelf Pads mounted on the Shelf Brackets and secure each Glass Shelf by inserting a CSK Inner Hexagon Screw (13) through the hole in the Glass Shelf into the top hole of the Joint Planks (15). Tighten using the 3x3mm Hex Wrench (10).

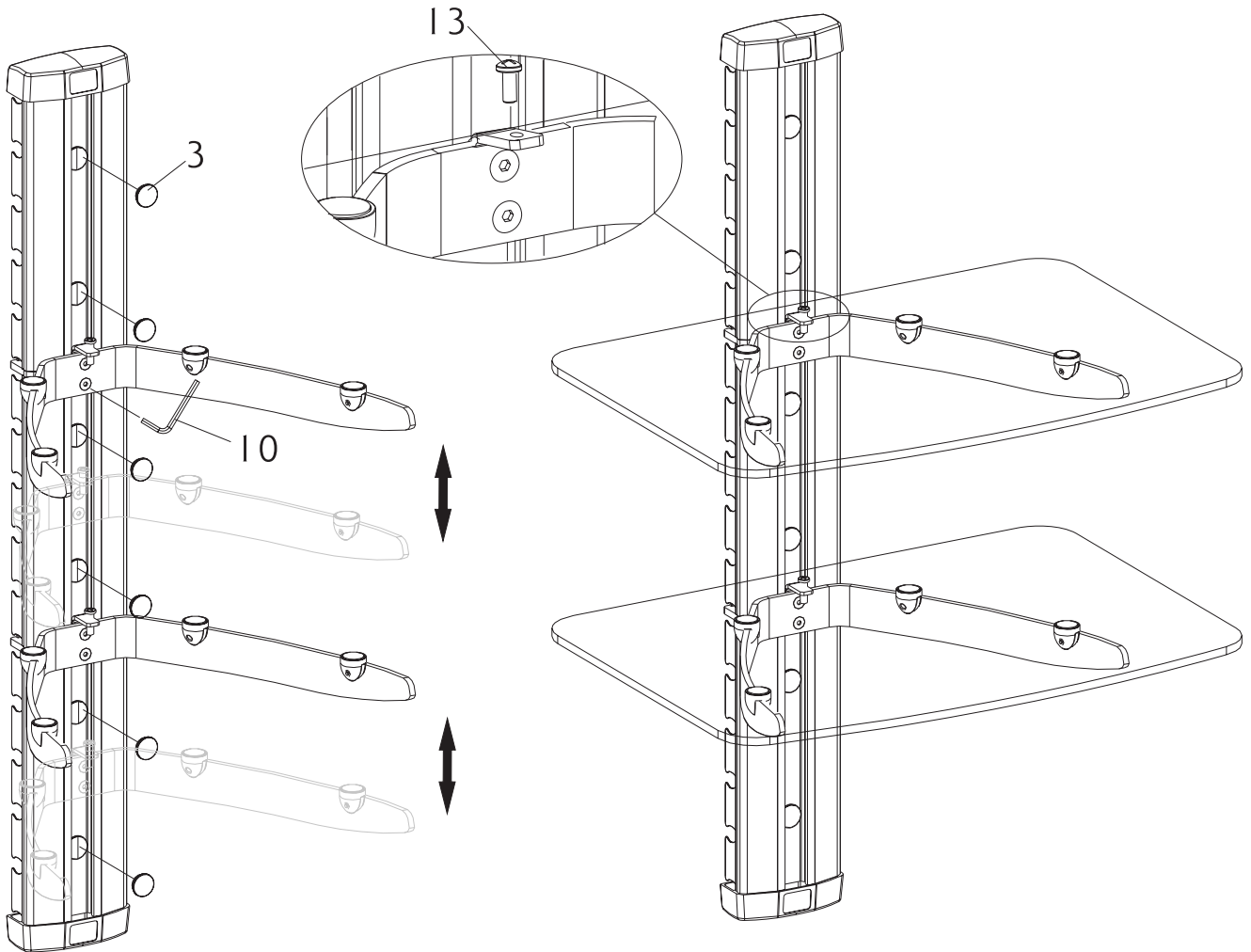


Fig. 5

Step 5: Using the Cable Management System

This A/V Component Stand includes a cable management system which allows cables or cords to be neatly routed along the inside of the Wall Bracket sides.

NOTE: For best system performance, route the AC power cords separately from the signal cables to keep power and signal cables from being wrapped around each other.

Pull the cables/cords one by one along the inside of the Wall Bracket to the desired exit point as shown in Fig. 6.

IMPORTANT: AVOID possible electrical shock, use ONLY your fingers to apply pressure when inserting cable/cord into the cable management openings. DO NOT use any kind of tool for this step.

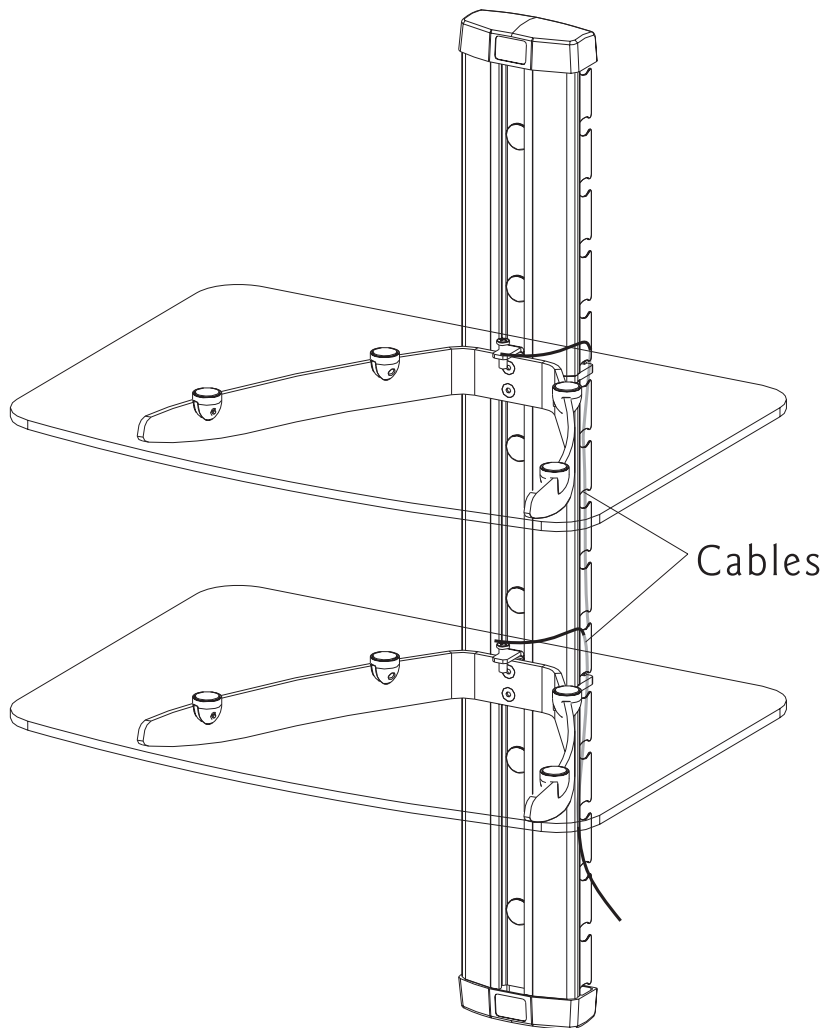


Fig. 6



LIMITED SIX-YEAR WALL MOUNT WARRANTY

We warrant this product to you, the original purchaser at the time of purchase printed on a dated store receipt from an authorized ETEC retailer and for a period of six-years thereafter that our wall mount product and all its parts and components are free of defects in material and workmanship under normal use. This warranty is subject to the provisions below. ETEC's sole obligation and the purchaser's exclusive remedy pursuant to these warranties are limited to replacement at ETEC's sole discretion. There are no other warranties except as expressly set forth below either expressed or implied, including any warranty of merchantability for any particular purpose.

Should you be missing any of the assembly parts or components (screws, pieces, etc.), please contact the Customer Support Center to secure a replacement. It is not necessary to bring the unit back to the store. When calling, please reference the parts list found in the Instruction Manual to help us accurately identify the missing parts and promptly provide replacements.

Our Customer Support Center is available Monday to Saturday (10:00AM to 7:00PM EST) for technical assistance or troubleshooting. To contact us please call 1-855-994-3832.

This warranty is expressly limited to the replacement of wall mount parts and components described in the parts list located in the Instruction Manual included with the product.

This warranty applies under conditions of normal use.

This warranty does not cover: any product, which has been subject to damage due to improper assembly or disassembly, products which were not assembled, installed, used, or maintained in accordance with the product assembly instructions & warnings, acts of nature, misuse, neglect, accidents, abuse, exposure to elements, outdoor use, extreme temperature ranges, damage during transit, commercial use, modification of, or to any part of the product or attachments to the product not approved by ETEC. Also not covered are costs for assembly/dis-assembly labor, costs incurred in shipping the unit or parts for warranty repair/exchange or any products purchased from unauthorized ETEC sellers. Under no circumstances shall ETEC, be liable for any loss (direct, indirect, incidental, foreseen, unforeseen, special or consequential) or for any damage arising out of, or in connection with, the use of this product. Nor shall ETEC have any responsibility for incidental or consequential damages resulting from the breach of this warranty including but not limited to inconvenience, purchase or rental of replacement products, loss of profits or commercial loss.

We reserve the right to request damaged parts or units be shipped to our offices for inspection or confirmation of any warranty claims.

This warranty does not cover product sold 'As Is'.

This warranty is valid only to the original purchaser of the Product in the United States and Canada and grants specific legal rights.

Schoenfeld International Inc and ETEC
5001 American Boulevard West
Suite 275
Bloomington, MN 55437

©Schoenfeld International Inc, 2013
PN: E200 Rev 1.3 September 2013